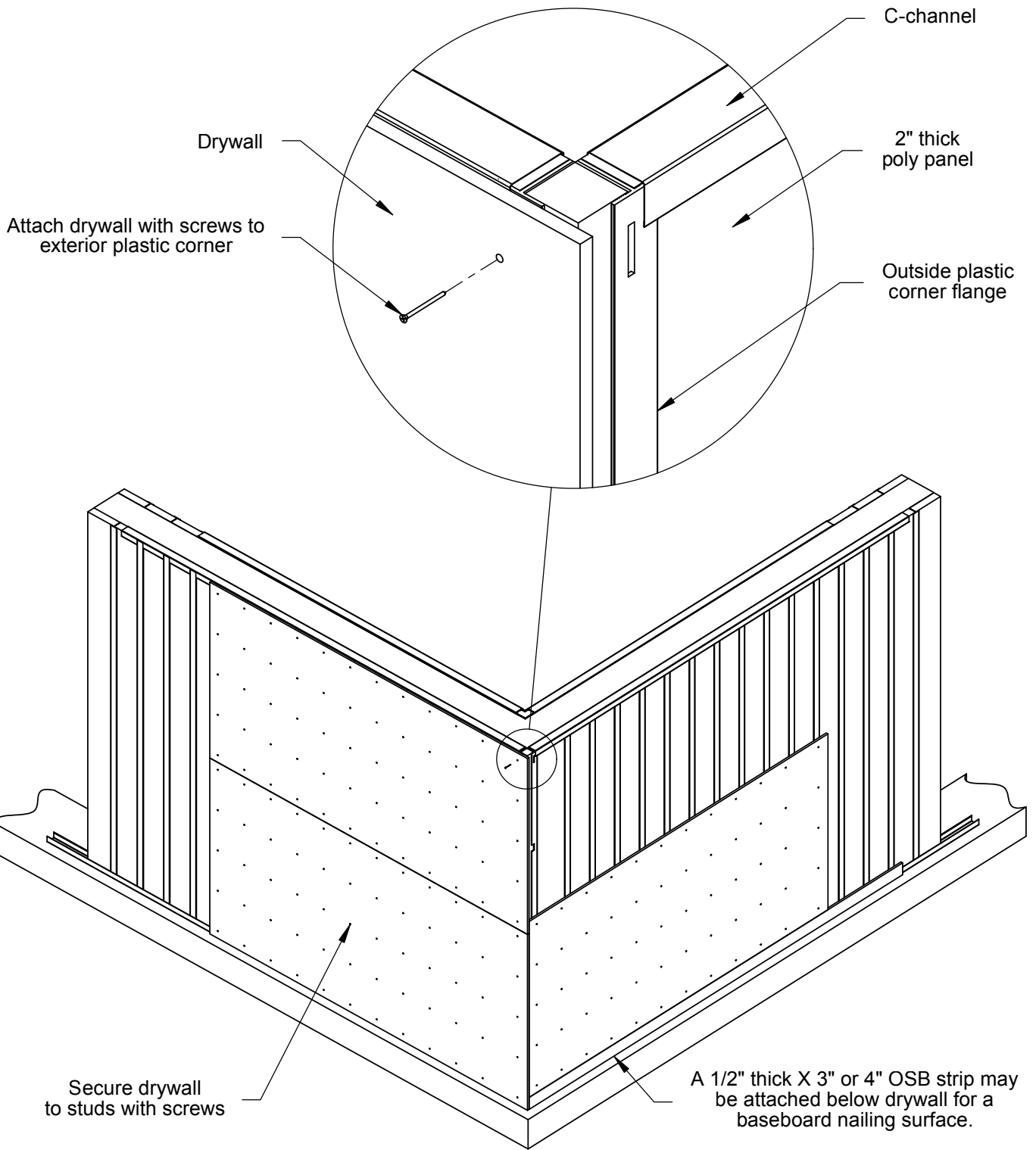


Section 9

Subcontractor ARG

Attach drywall, according to code, directly to plastic studs

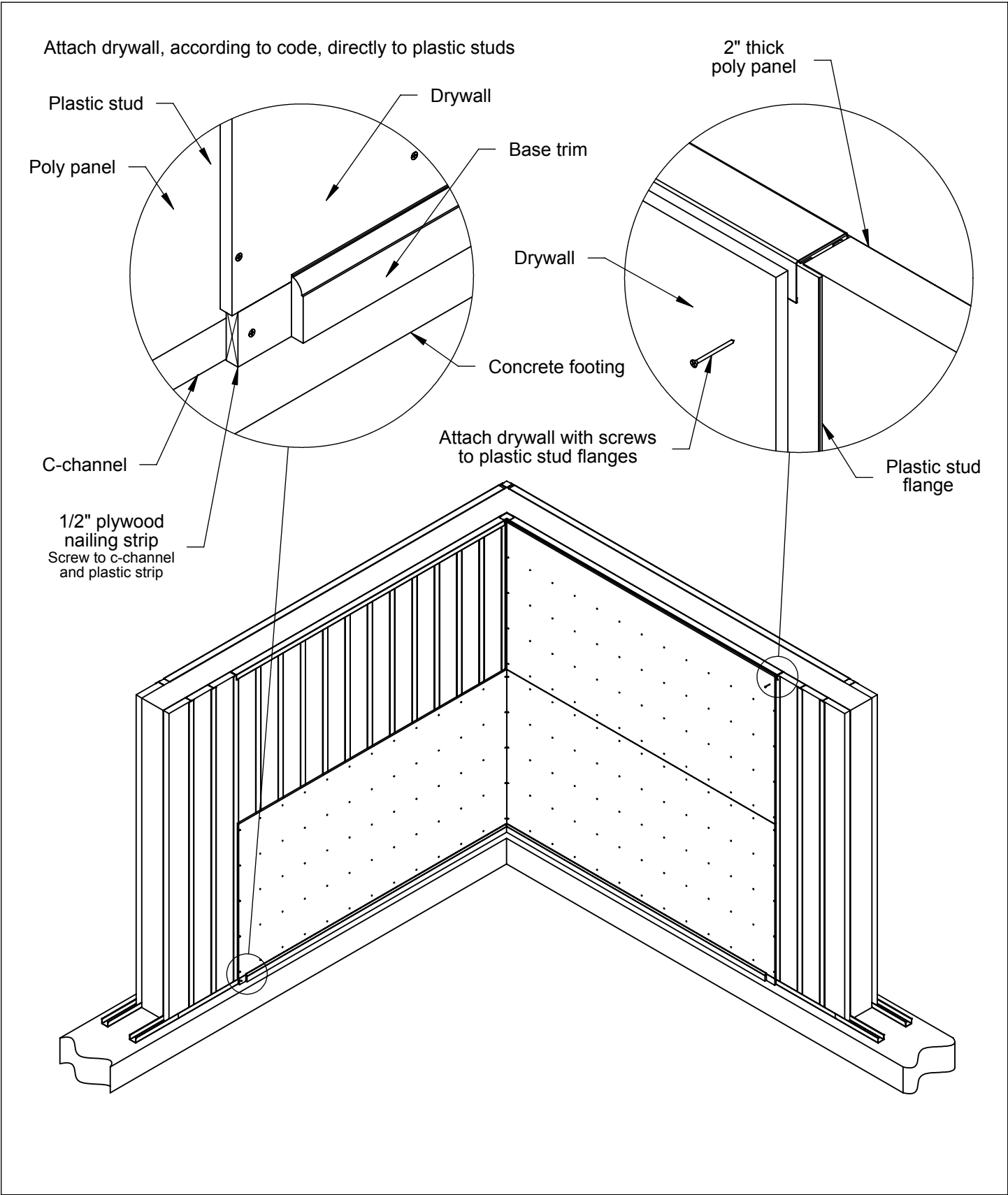


Attaching Drywall or Cladding
on Interior Return Corner

ThermoFormX

TF Forming Systems, Inc
800-360-4634
www.TFSystem.com

Date: 2/19/2013



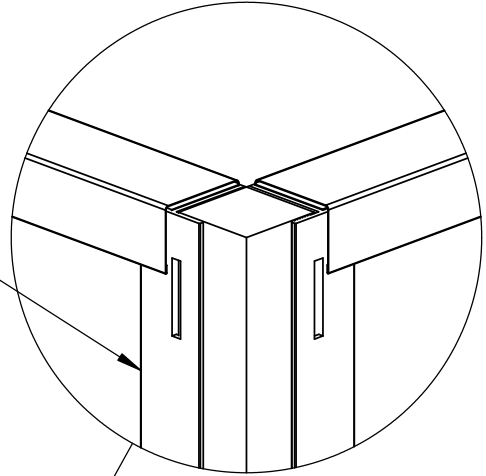
Attaching Drywall
to Interior Corner

ThermoFormX

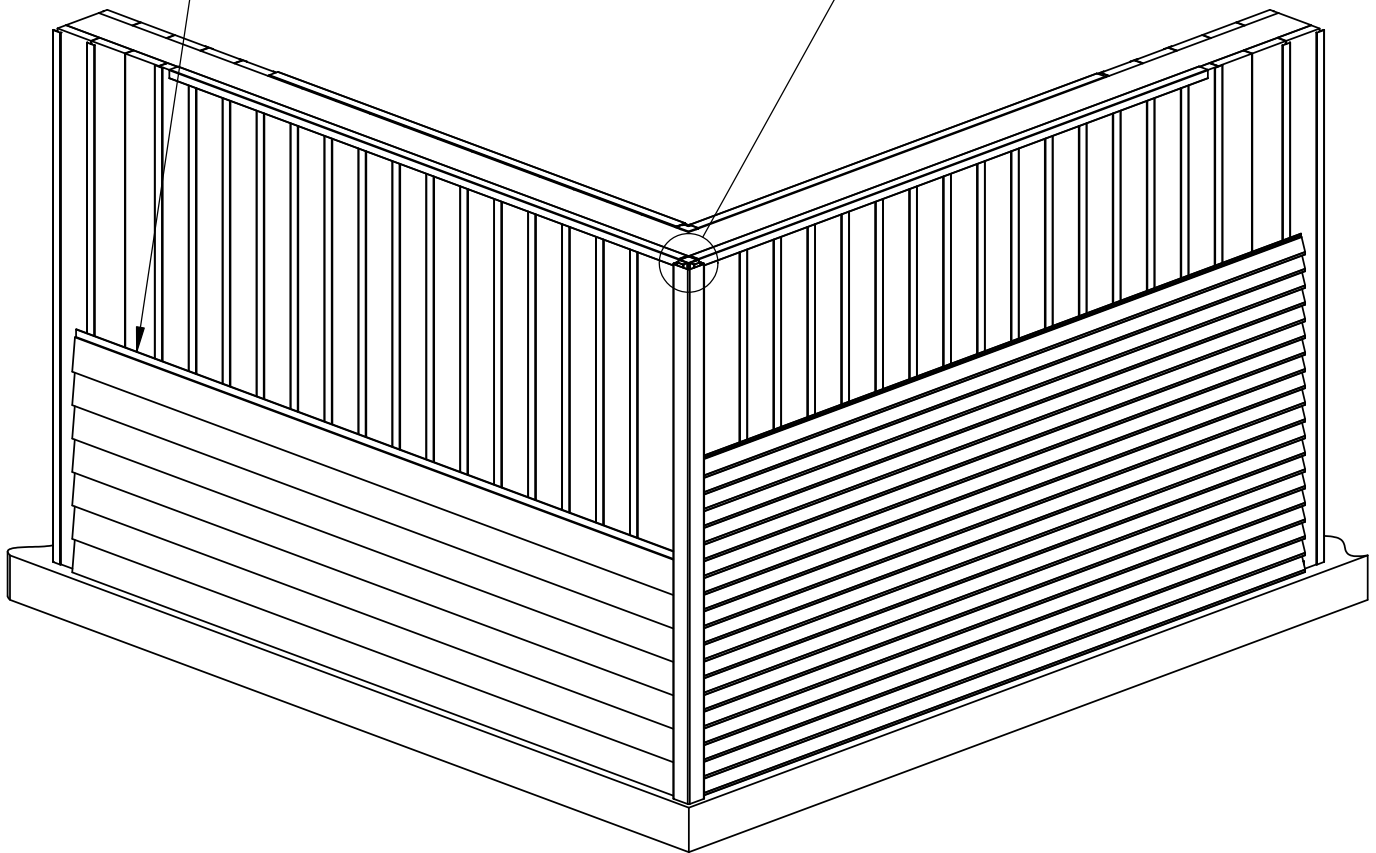
TF Forming Systems, Inc
800-360-4634
www.TFSystem.com

Date: 3/19/2013

Use the plastic exterior corner to attach the siding and corner post to outside corners



Fasten siding to the plastic studs according to manufacturer's instructions

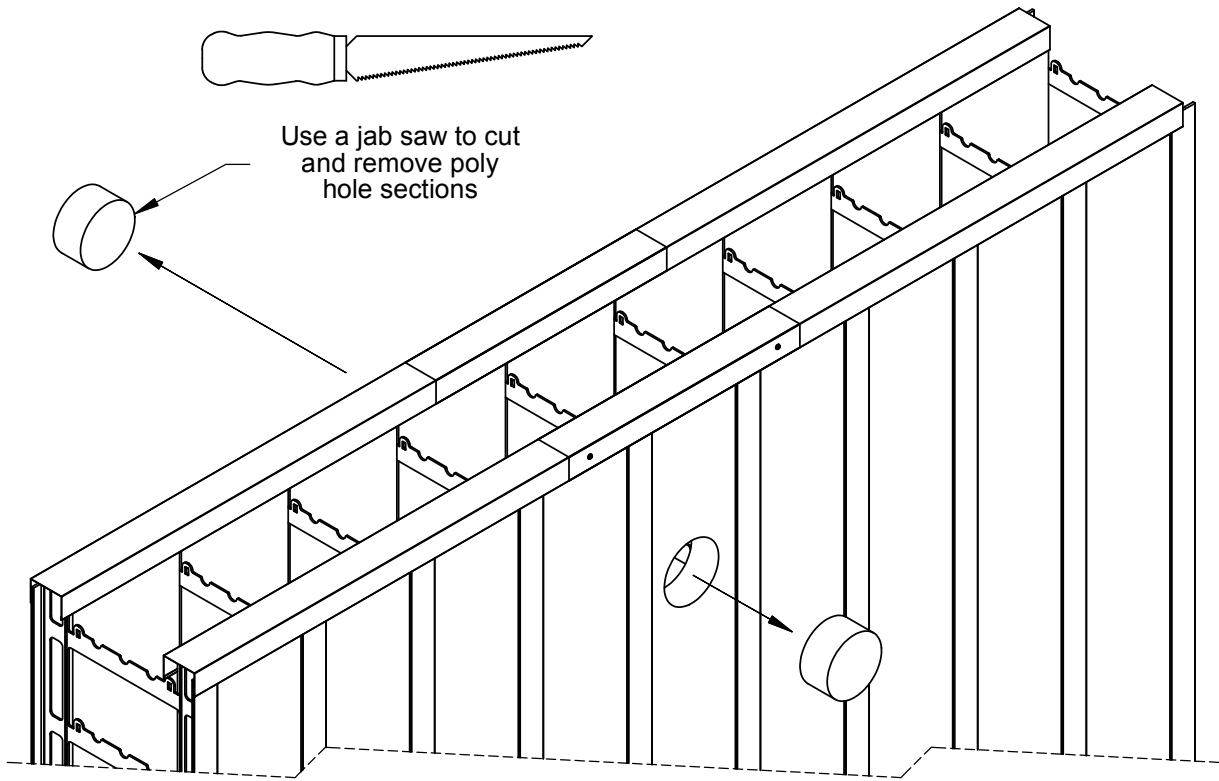


Attaching Siding

ThermoFormX

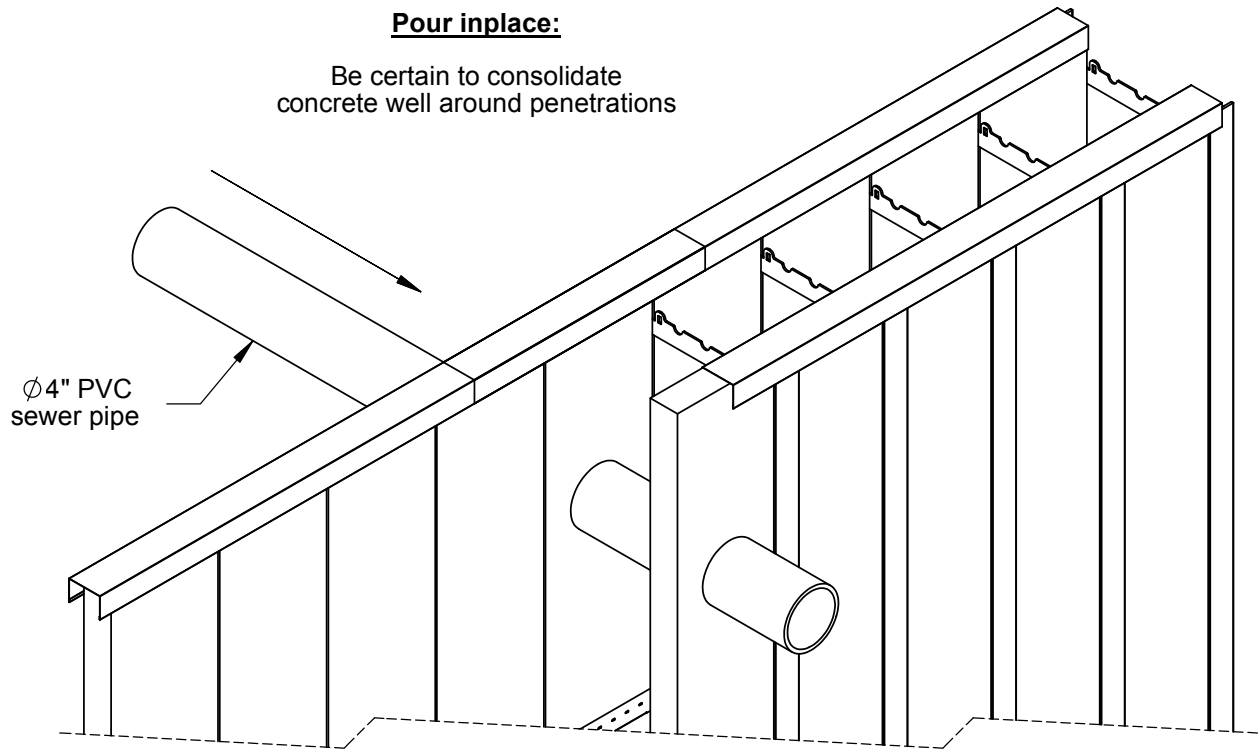
TF Forming Systems, Inc
800-360-4634
www.TFSystem.com

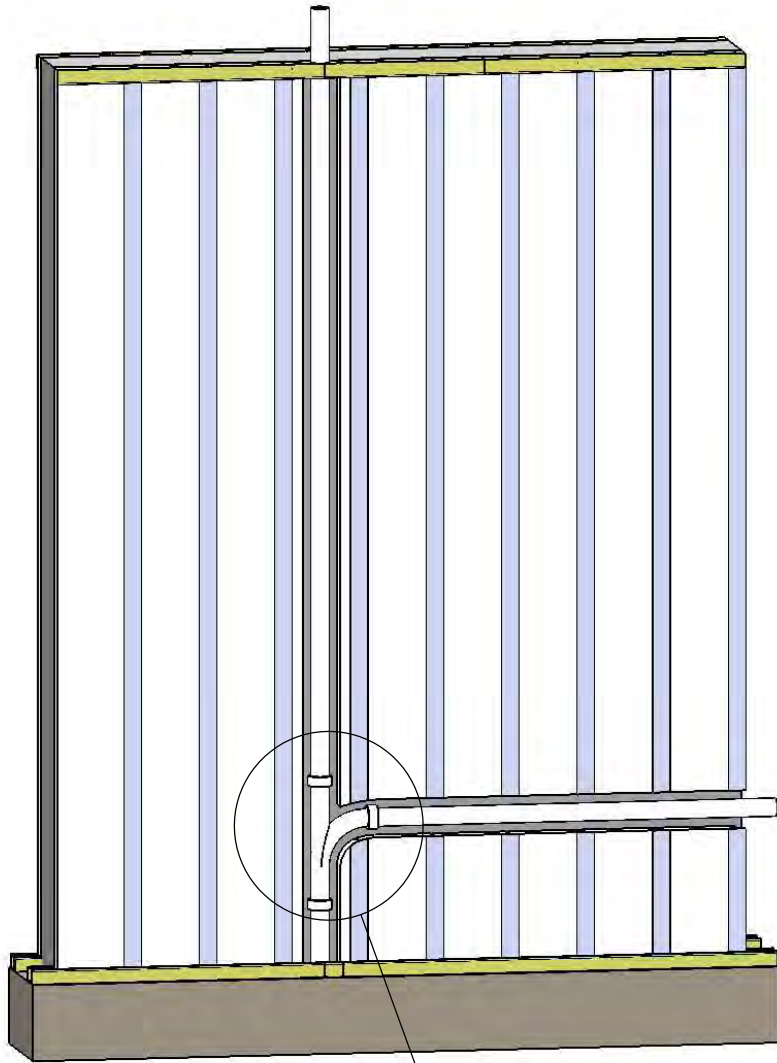
Date: 2/19/2013



Pour in place:

Be certain to consolidate concrete well around penetrations





Tips and Strategies

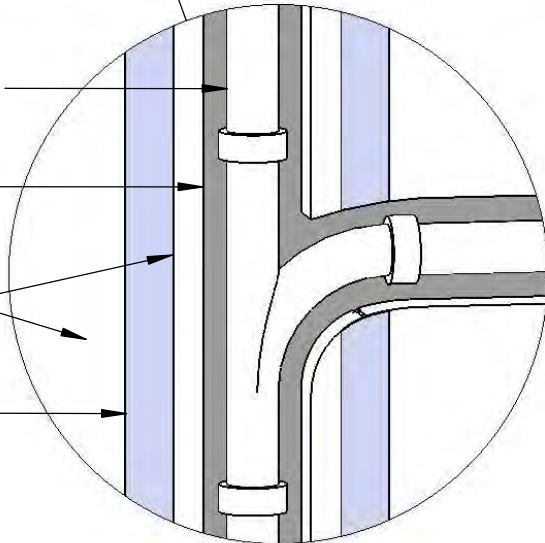
- 1-1/2" pipe max will fit in stud cavity unless block-out is used in concrete to create more space.
- For larger diameter pipe chases, use pieces of polystyrene attached to the inside face of the insulation on the concrete form. This will create a block-out of the concrete for a pipe channel.
- Cut channels into the rigid insulation with a cordless saw, hot knife, router, or multi-tool.
- Cut across plastic studs with a cordless saw or multi-tool.
- Peel out polystyrene and plastic rail sections with claw hammer and flat chisel.
- Channel in picture is shown wider than normal for illustration purposes. Channels would normally be cut to closer tolerances for reduced R-value loss.
- Channel can be refilled with spray foam.

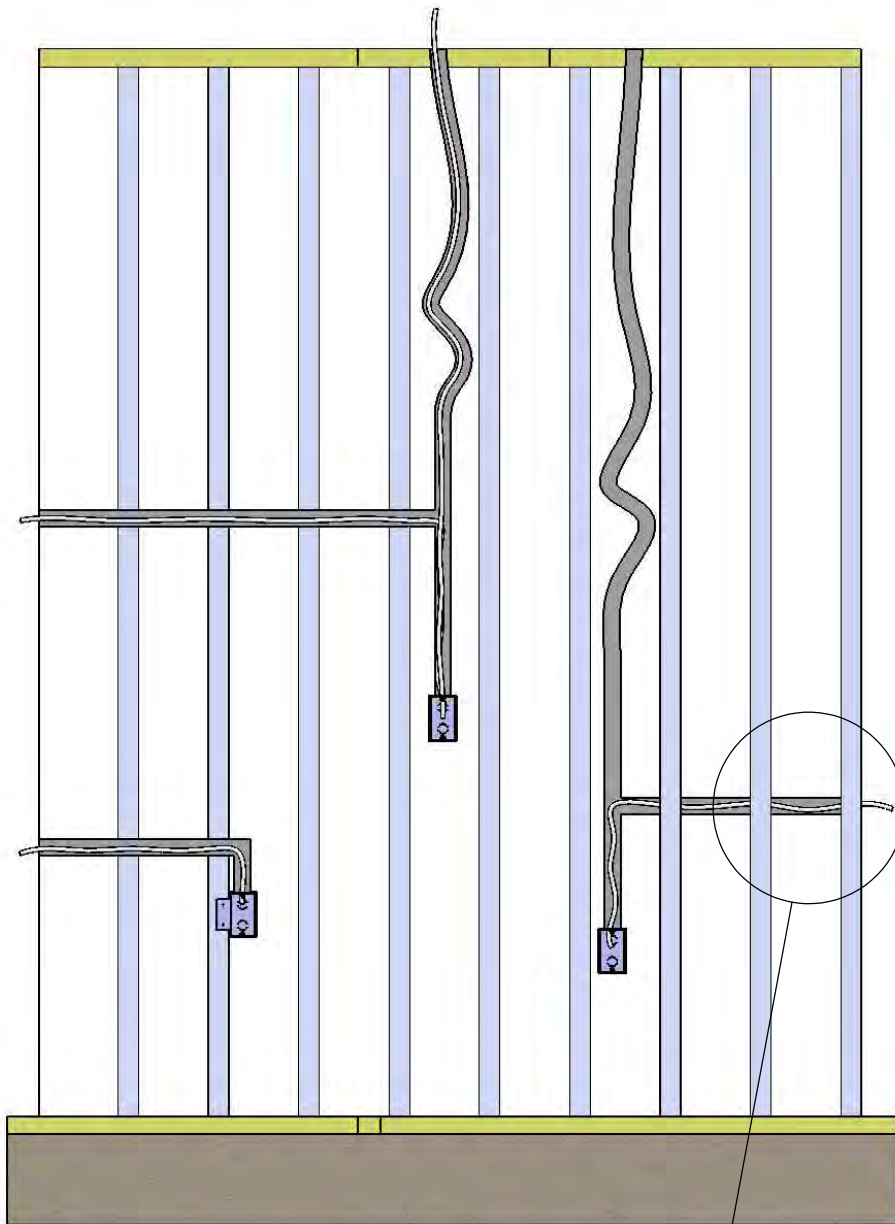
Plumbing pipe

Concrete wall

Poly panels

Plastic stud

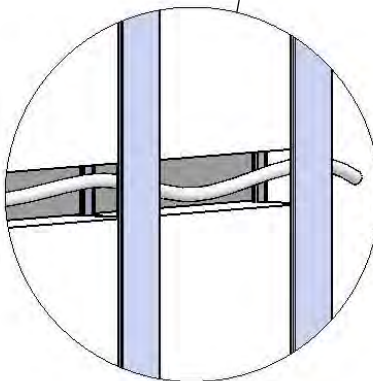




Tips and Strategies

- Cut rigid insulation with a hot knife, roto-zip, multi-tool, or cordless saw.
- Cut through plastic rails with roto-zip, multi-tool, or cordless drill.
- Instead of having a straight vertical electrical chase, make an "S" curve in the poly. This will hold the wiring in place from falling out when it is bent around the curve.
- Follow all electrical codes, check with a local electrical inspector for codes. If there are any questions about attaching boxes, securing wiring, or any other concerns, contact Jerry Spude (Lead technical support) at TF Sysytem for solutions at 920-983-9960.

The wire chases are shown wider than normal for illustration purposes.



- If you have a hot knife for cutting the insulation, you don't have to cut the plastic rails. The hot knife can cut away the insulation behind the face of the plastic rail revealing the open holes in the plastic stud. The wiring can be fed through the holes in the side of the plastic stud the same as running wiring in wood or steel studs.

About This Manual

This manual is intended to assist the contractor by illustrating techniques commonly used to erect walls using TF Forming Systems, Inc., VerticalForm™ Insulated Concrete Forms. A basic knowledge of construction terms and skills as well as concrete pouring techniques will help to ensure a successful project. Project specifications must meet or exceed local, state, and national codes and/or regulations.

Disclaimer

This publication is offered as a convenience to TF Forming System's users. The ideas and guidelines contained within this manual are those of the designers of this ICF System. All statements, drawings, and pictures are based upon experience and observation and do not replace professional opinion or governmental regulations. This manual does not create or provide any expressed or implied warranty to the reader. Due to differing conditions, tools, and individual skills, TF Forming Systems, Inc. and the designers of the VerticalForm™ system assume no responsibility for errors or omissions and reserve the right to make changes to both this publication and disclaimer without notice. All information made available by TF Forming Systems, Inc. neither endorses other products nor makes any warranties, representations, or guarantees concerning the safety or effectiveness of the products, techniques, or concepts discussed, illustrated, demonstrated, or described in this manual. Before beginning any project, review the plans and instructions carefully, and if any doubts or questions remain, consult local experts or authorities. Because local codes and regulations vary greatly, you should always check with authorities to ensure that your project complies with all applicable local codes and regulations. Always read and observe all the safety precautions provided by any tool or equipment manufacturers and follow all accepted safety procedures. You may reproduce pages of this manual, without alteration, for your own personal use and for non-commercial distribution. TF Forming Systems, Inc. requires written permission to reproduce materials for commercial distribution or other non-personal use. To receive written permission to reproduce this manual, either in parts or in its entirety, or to receive a copy of the TF Forming Systems, Inc. warranty and damages document, write to:

TF Forming Systems, Inc.
3030C Holmgren Way
Green Bay, WI 54304 USA
920-983-9960

Last Updated: 3/20/14



Disclaimer

TF Forming Systems, Inc.
800-360-4634
www.TFSystem.com

Date: 3/20/2014