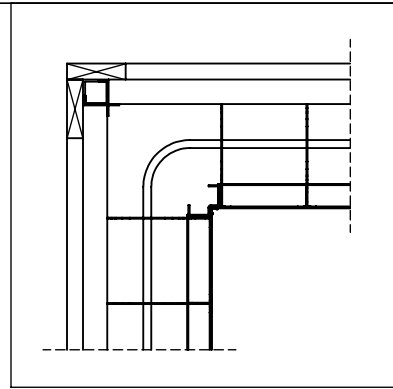


Section 4

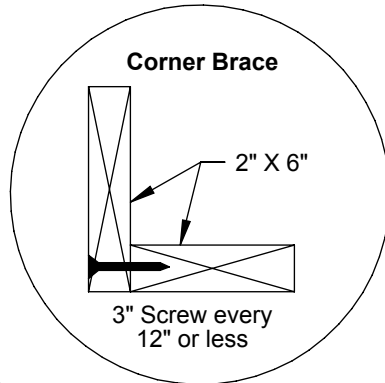
Bracing 8ft & 9ft Corner Assembly

Section 4: Bracing 8ft & 9ft Corner Assembly

Bracing 8ft & 9ft corner assembly



90° CORNER
TOP VIEW

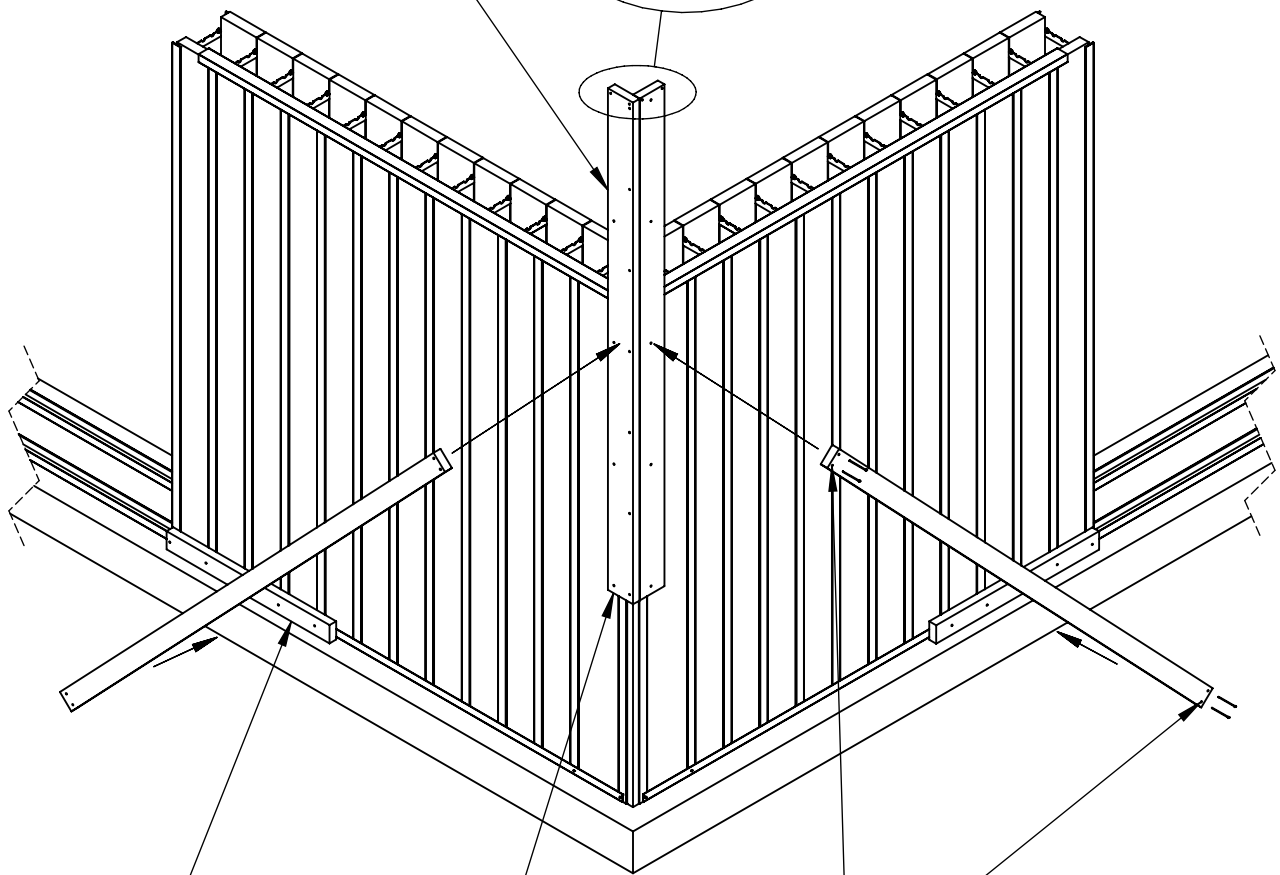


Corner Brace

2" X 6"

3" Screw every
12" or less

8ft - 2" X 6"
Corner brace
(Preassembled)



Screw attach through
bottom c-channel and
into plastic studs

Screw corner post
to plastic corner

Screw attach angle kickers on
each side, plumb corners both ways
before attaching at the bottom. Use
two screws at the top and bottom.

Note:

Use 3" screws to secure corner brace
and base boards to plastic corner



Corner Bracing

ThermoFormX

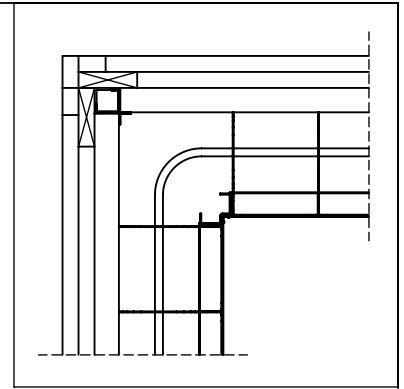
TF Forming Systems, Inc
800-360-4634
www.TFSystem.com

Date: 2/19/2013

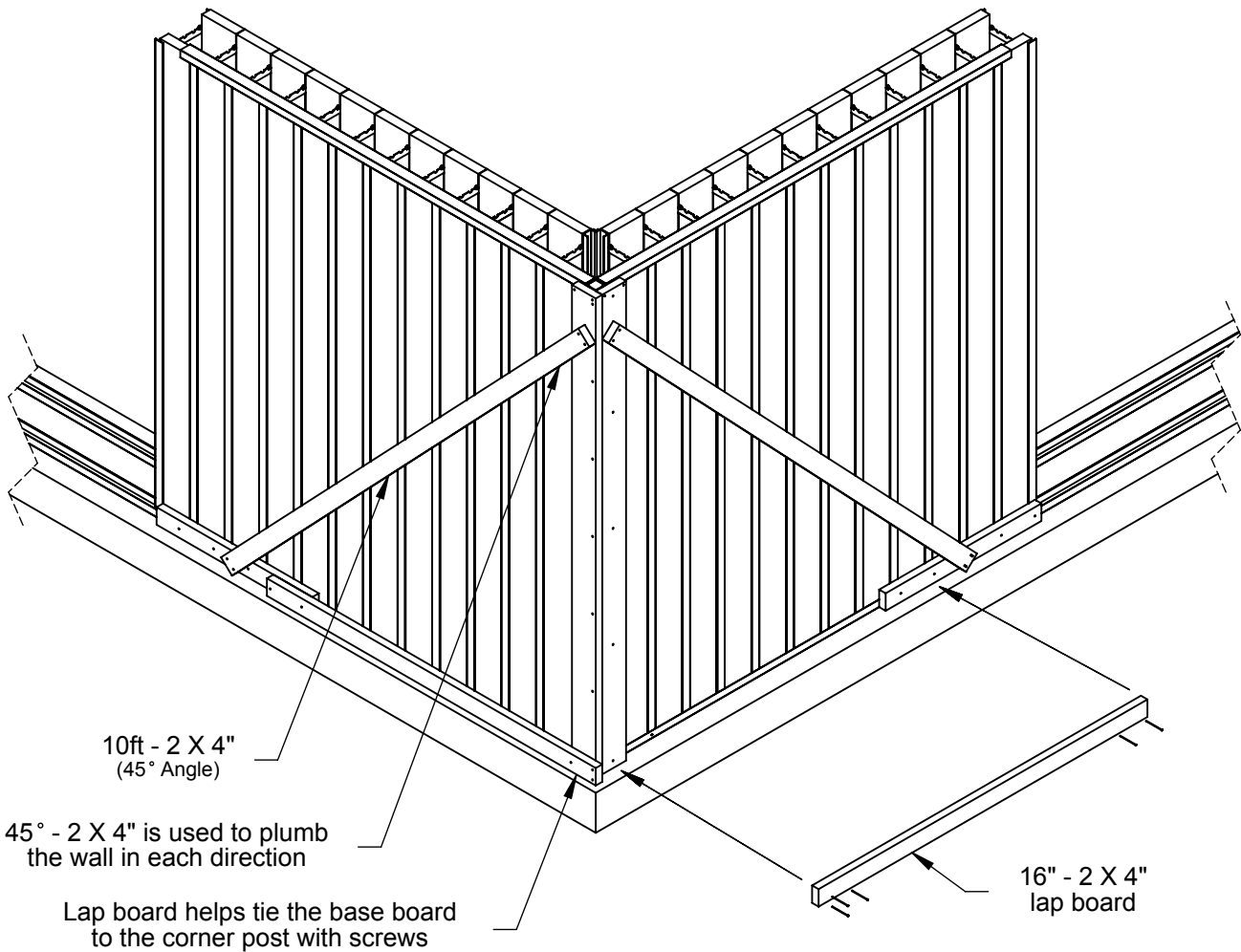
Bracing 8ft & 9ft corner assembly

Adding angle braces

Plumb each side



90° CORNER
TOP VIEW



Contractor assumes all
responsibility for design
and implementation
of bracing



Corner Bracing

ThermoFormX

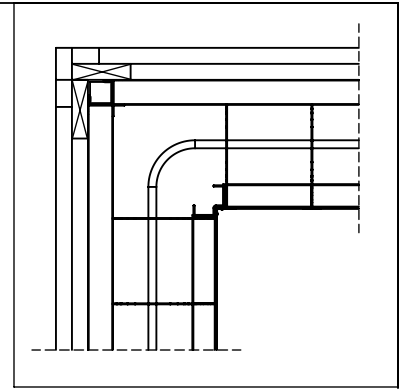
TF Forming Systems, Inc
800-360-4634
www.TFSystem.com

Date: 2/19/2013

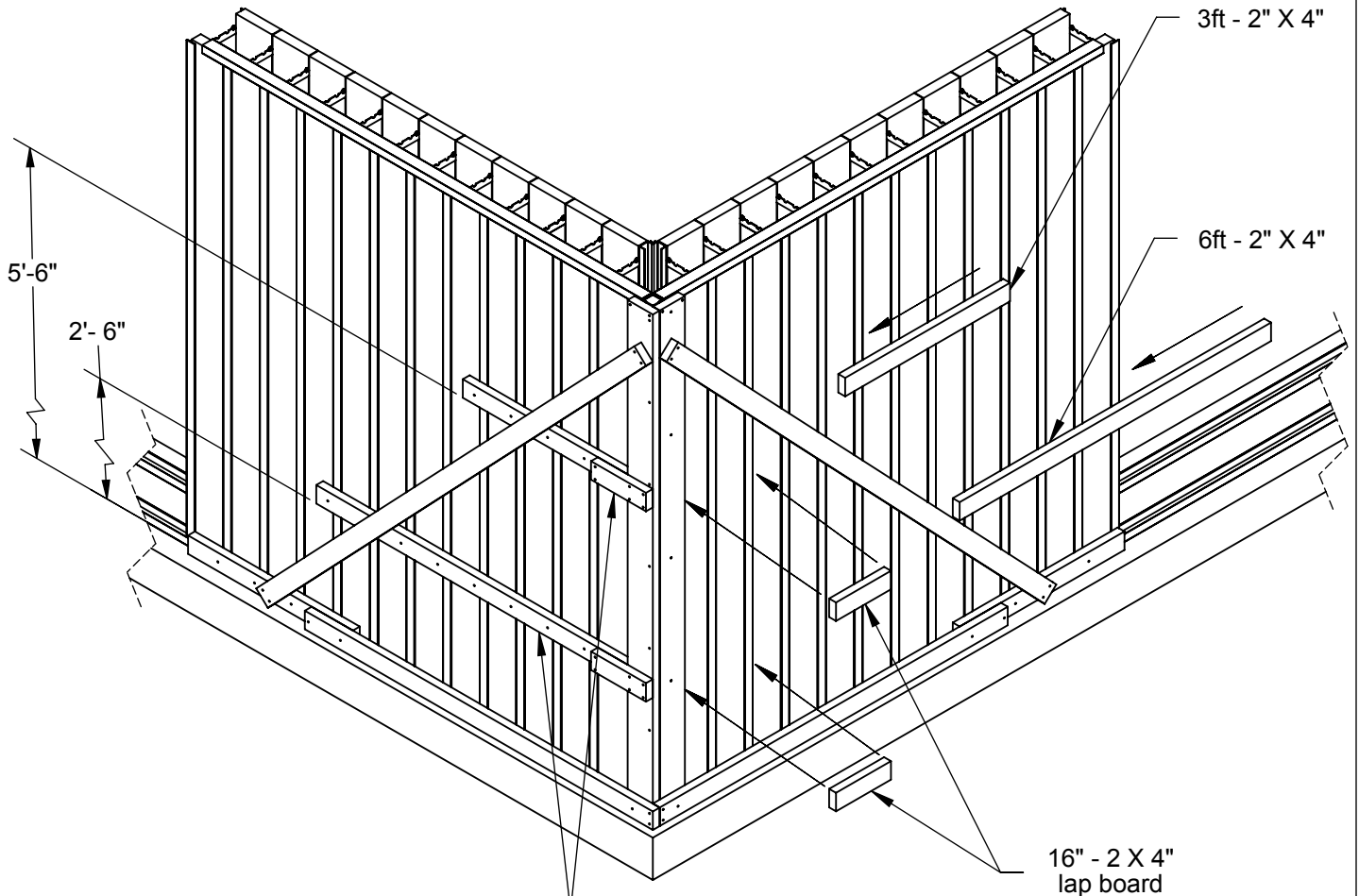
Bracing 8ft & 9ft corner assembly

Add horizontal walers

Add lap boards



90° CORNER
TOP VIEW



Horizontal waler boards slide behind angle
brace and butt to corner post

Screw attach to every rail with 3" screws

Add lap boards

Contractor assumes all
responsibility for design
and implementation
of bracing



Corner Bracing

ThermoFormX

TF Forming Systems, Inc
800-360-4634
www.TFSystem.com

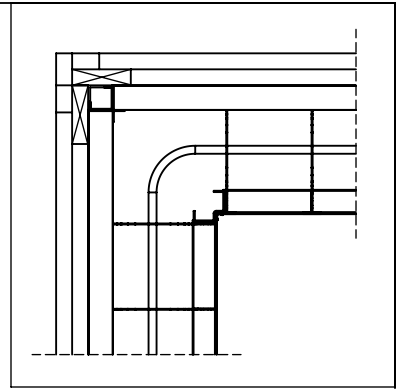
Date: 2/19/2013

Bracing 8ft & 9ft corner assembly

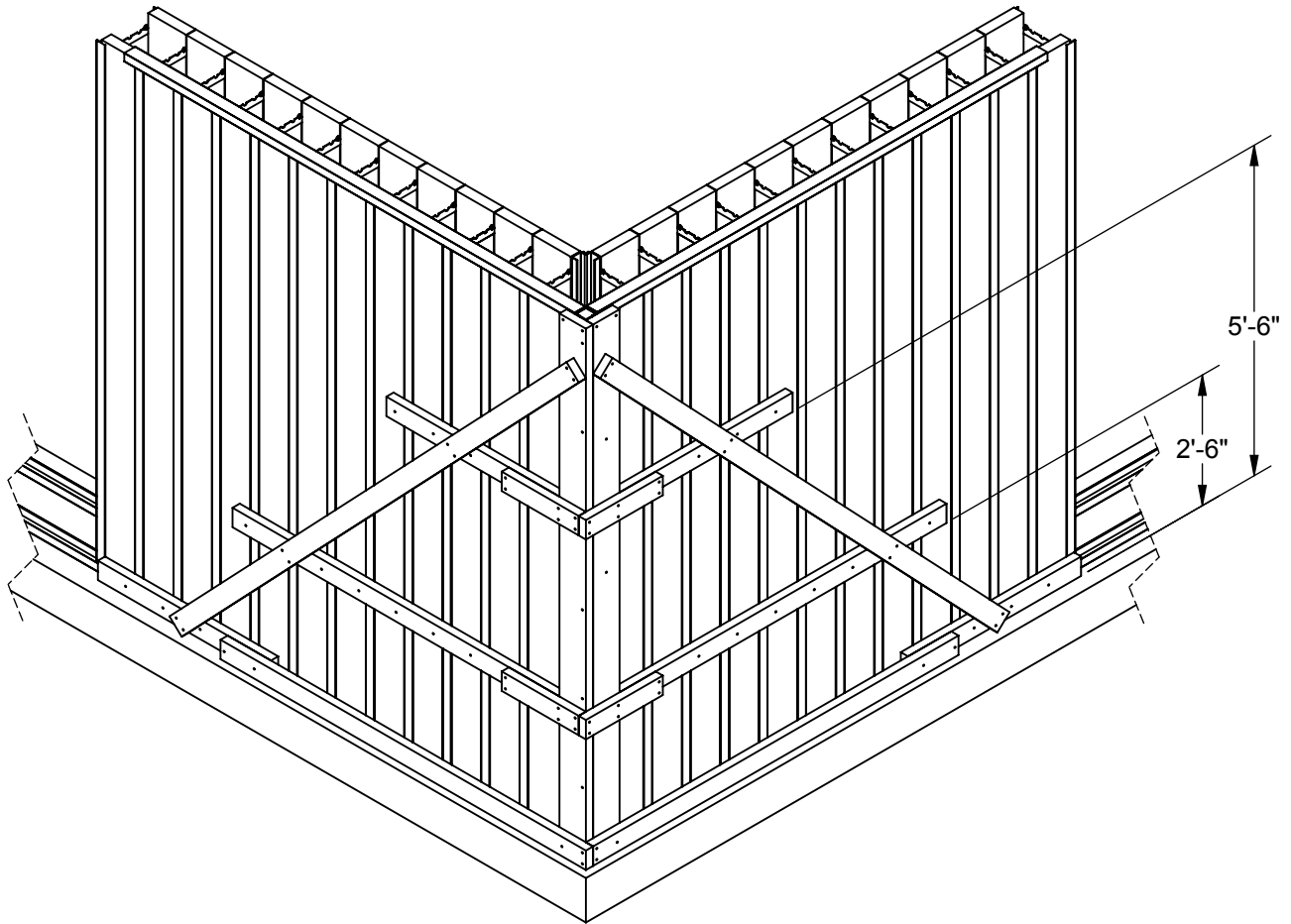
Use this same method for 9ft tall walls

Put horizontal walers at third points (3ft & 6ft) on a 9ft wall

Move to 3 horizontal walers @ 1/4 points for 10ft or 12ft high walls



90° CORNER
TOP VIEW



Horizontal corner brace layout

See your TF Rep.
for setting up corner
bracing on the walls
10" thick or more

NOTE:

This bracing is used to stop the corner from twisting under concrete pressure



Completed Corner Bracing

ThermoFormX

TF Forming Systems, Inc
800-360-4634
www.TFSystem.com

Date: 2/19/2013